



EUROPEAN QUALITY



Monocrystalline Photovoltaic Module

Half Cut 390 - 410 W

TEN HC 108



Italian engineering & design
Extended warranties



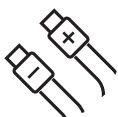
Ultra-robust module
35 mm frame thickness



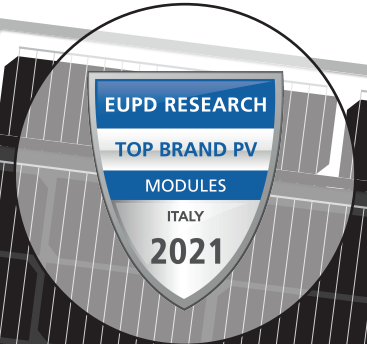
Customized production
All Black | Translucent | Standard



Positive tolerance in our
modules with **0/+5 wp**



Staübli connectors
upon request



www.solarday.it

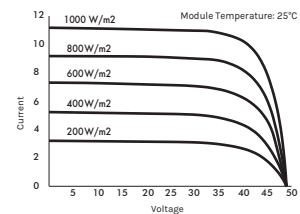
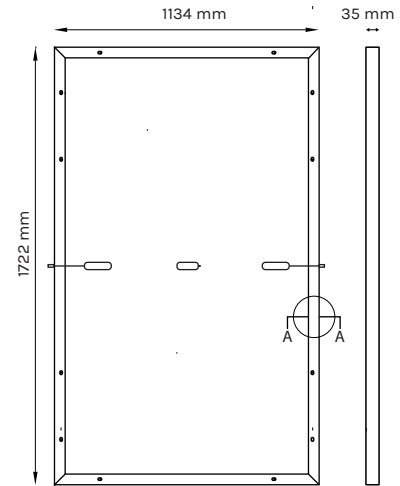
Monocrystalline Photovoltaic Module

Half Cut 390 - 410 W TEN HC 108



TECHNICAL FEATURES

Cells:	108 (6x18) Monocrystalline Silicon Available in: Half cut
Frontal Glass:	Glass with low iron content - thickness 3,2 mm Capa ARC < 20000 cd/m2 Frontal load (snow) 5400 Pa - Back load (wind) 2400 Pa
Encapsulant:	EVA (Etilen Vinil Acetato)
Backsheet:	Polymer sheet
Frame:	Black/Silver anodized aluminum 15 micron Grounding holes (For more information please contact our sales team)
Junction Box:	IP68 - 1500 V with 3 by pass diodes Cables length 300 mm - Section: 4,0 mm ² ± 1% tolerance Fire Class 1 approval (UNI 9177)
Connectors:	MC4 or compatible connector



WEIGHT, DIMENSIONS AND PACKAGING

22,7 Kg | 1722 mm x 1134 mm x 35 mm | 35 pcs Pallet | 910 pcs truck

ELECTRICAL CHARACTERISTICS *

	TEN HC 108 390W	TEN HC 108 400W	TEN HC 108 410W
Pmax (W)	390	400	410
Tolerance	0/+5 W	0/+5 W	0/+5 W
Vmpp (V)	30.79	31.28	31.76
Impp (A)	12.67	12.79	12.91
Voc (V)	36.69	37.18	37.66
Isc (A)	13.42	13.54	13.66
V	1500	1500	1500
Eff (%)	19.97	20.48	20.9
A	20	20	20

*NOTE: Read the instruction manual of this product and follow the indications STC. Values are valid for: 1000W/m², AM 1.5 and cells temperature of 25°C. Measurement tolerance +/-3% (AAA Solar simulation -IEC 60.904-9-). All the information of this brochure may be amended without notice by Solarday. Consult the installation manual for more information.

TEMPERATURE CHARACTERISTICS

Temperature Coeff. of Voc:	-0,275 % / °C
Temperature Coeff. of Isc:	+0,05 % / °C
Temperature Coeff. of Pmax:	-0,350 % / °C

OPERATIVE CHARACTERISTICS

Operating Temperature:	from -40 °C a + 85 °C
Hailstorm Resistance:	Ø 25 mm, 86 Kg/h
NMOT*:	43 ± 2 °C

*Nominal Module Operating Temperature: Irradiance 800W/m²; Air 20°C; Wind speed 1m/s

WARRANTIES

20 YEARS
Product Warranty

25 YEARS
Linear Warranty

PREMIUM
+5

SOLARDAY CERTIFICATES

IEC 61215:2016 | EN 61730-1:2016 | EN 61730-2:2016
UNI 9177 Class 1 Fire Class | FIRE TEST MST23 CLASSE C
IEC 62716:2013 | IEC 61701:2011
ECOEM

UNI EN ISO 9001:2015
UNI EN ISO 14001:2015
UNI EN ISO 45001:2018
CE

Office (ES)

Carrer de les Garrigues 17 p.1
46001 Valencia, España
contact@solarday.it +34962071775

Office (IT)

Via privata Antonio Meucci 67
20128 Milano, Italy
contact@solarday.it +39022594171

Factory

Località Merlaro 1, 25070
Nozza di Vestone (BS), Italy
contact@solarday.it